



OPTOCORE



Operating Manual for OPTOCORE DD32R-FX

AES/EBU I/O / SANE/ VIDEO / DATA MODULE WITH ETHERNET
Optical Digital Network Device

© Copyright 2015 All rights reserved

OPTOCORE GmbH
Lohenstr. 8
82166 Munich-Gräfelfing
Germany

DD32R-FX – Digital I/O for Optocore and SANE

Operating Manual

Rev. 2.3

Page intentionally left blank.

Important Safety Instructions

- Please read this manual carefully.
- Please keep this operating manual in a safe place.
- Heed all warnings.
- Follow all instructions.
- This device may only be used in accordance to the information provided in this operating manual. Ensure that all recommendations, especially the safety recommendations as detailed in this operating manual, are followed before and during the usage of the device.
- Do not use this device near water, for example, in humid or damp rooms.
- Clean only with a dry cloth.
- Do not block or cover any ventilation slits. Install the device in accordance with the operating manual.
- Do not install or place the device near any heat source such as radiators, power-amplifiers, or any other heat producing equipment.
- Protect the power cord from being stepped on, crushed, pinched or damaged in any other way. Pay special attention to plugs and sockets of the device.
- Never switch on power amplifiers before the complete system is stable and the level meters of the OPTOCORE CONTROL software indicate a normal level.
- Do not place this device on an unstable table, tripod, cart, etc. The device may fall, causing serious damage to the device.
- The device can be disconnected from the power supply by pulling the plug. These must be freely accessible at all times. The device should be disconnected during lightning storms or when unused for long periods of time.
- The device must be grounded; any disconnection of the grounding is not permitted.
- The internal components of the switched-mode power supplies operate at very high voltages. Coming into contact with them can lead to considerable electric shock, which may result in death.
- Only use attachments specified by the manufacturer.
- This device contains no user serviceable parts: only refer to authorised, qualified service personnel for any servicing.
- Your warranty will be voided if you tamper with the internal components.

Purchaser Information

- **Operating Manual**

Please read this manual – if you call for technical support, we will assume that you have already done so. Study the operating manual carefully in order to familiarise yourself with the device and its operation. It contains vast amounts of information and tips for the proper use of the device.

It cannot be guaranteed that this operating manual will not contain typographical mistakes or misprints. The operating manual is regularly revised and updated.

Modifications, which serve the purpose of technical improvement of the device, may be carried out without prior notification.

- **Transport and Shipping**

Always ensure careful handling of the device. The device should be transported and shipped in shock-absorbing transport cases. If these are not available, we recommend well-padded packaging such as the coated carton in which the device was delivered.

We strongly advise against the use of light weight flight-cases without shock-absorbing rack-in-rack mounting.

- **Environments**

This device can be used in E1, E2, E3, E4, or E5 environments (as listed below) according to the harmonised European standards EN55103-1 and EN55103-2 “Electromagnetic compatibility – Product family standard for audio, video and audio-visual and entertainment lighting control apparatus for professional use”

E1-Residential

E2-Commercial and light industrial

E3-Urban outdoors

E4-Controlled EMC environment e.g. broadcast and TV-studio

E5-Heavy industry

The product is intended for use in moderate climates.

- **Ventilation**

Do not block or cover any ventilation openings. Install the device in accordance with the operating manual. Allow for sufficient space around the units (at least 200 mm \cong 7,87" free space behind the rear-panel of the device) and make sure to allow for air circulation near the ventilation openings on both sides of the device. Keep the rear of the rack open during operation. Do not operate the device close to heat emitting equipment, such as power-amplifiers. Leave sufficient space (minimum ½ RU) between the device and any heat emitting devices housed in the same rack.

A DD32R-FX may be placed on top or beneath other Optocore products, except a DD32E, without additional space.

Please

note:

Do not populate more than 4 adjacent rack spaces with Optocore devices.

Maintain 1RU of empty space between each 4 RU of Optocore devices.

Keep the equipment rack open during operation.

Ensure air circulation around the devices.

Maintain at least 200mm (~8") clearance behind the rear panel of the devices.

- **Water and Moisture etc.**

To prevent fire or shock hazard do not expose the device to direct sunlight, dust, water, or rain during operation or storage.

- **Cleaning**

Only use a dry linen cloth to clean the device. If the unit is very dirty, moisten a cloth using a little water and a small amount of household detergent. Never use cleansing agents containing solvents to clean the device.

- **Operating and Storage Temperature**

Operating temperature: $-20^{\circ}\text{C} \dots 50^{\circ}\text{C} \equiv -4^{\circ}\text{F} \dots 122^{\circ}\text{F}$; ensure proper ventilation

Storage temperature: $-20^{\circ}\text{C} \dots 60^{\circ}\text{C} \equiv -4^{\circ}\text{F} \dots 140^{\circ}\text{F}$

- **Power Supply**

The device can be disconnected from the power supply by unplugging the power cord. The power cords must be freely accessible at all times. The device should be disconnected during lightning storms or when the device is unused for a long period of time.

Important:

The switched-mode power supplies operate at very high voltages.

Coming into contact with the power supplies can lead to considerable electric shock, which may result in death.

Never disconnect the main plug by pulling the cable, always pull the plug itself.

Power-supply cords should be routed in such a way that they are not likely to be walked on, crushed, pinched, or damaged in any other way. Pay special attention to the plugs and the sockets of the device.

Important:

A damaged power cable must be replaced immediately.

The device must be grounded. Disconnecting the ground is strictly prohibited. Ensure that the device is always grounded using the power connector. Do not cover the ground connection of the power connector with any kind of insulation material!

- **Fuse**

There is no fuse in the device. The power supplies contain circuitry that protects the device from overload.

- **Lightning**

For additional protection of this device during lightning storms, or when it is left unattended and unused for a long period of time, disconnect the power cord. This will prevent damage to the device due to lightning and power line surges. Disconnection from the mains power supply is only possible by disconnecting the power plug from the mains socket.

- **Eye Safety**

This product is a Laser Class 1 product. It complies with IEC 60825-1, FDA 21 CFR 1040.10, and 1040.11.

- **External objects and/or liquids**

Never push objects of any kind into the device through openings in the casing. They may come into contact with dangerous voltage points or short out parts that could result in a fire or electric shock. Never spill liquid of any kind on the device.

- **Cables and Accessories**

Only use attachments that are specified by the manufacturer of the device.

Use high quality, properly terminated, cables to connect the device. The device should only be used with optical fibre cables that are specified for use with the devices' optical transceivers and within the specified power budget of the optical transceivers. When not in use, ensure that the optical connectors on the device and the optical fibre cables are covered with the provided caps.

Do not place this device on an unstable table, tripod, cart, etc. The device may fall, which can cause injury and serious damage to the device. Any mounting of the device should follow the manufacturer's instructions, and should use mounting accessories recommended by the manufacturer of the device.

- **Servicing**

Do not attempt to service this device yourself.

The device contains no user serviceable parts, components or controls. The operation of an opened device is not permitted. Such operation can lead to damage of the device's components due to lack of air-flow through the device.

The device may not be serviced, altered or modified without authorization from Optocore or an Optocore authorized distributor / dealer. Only qualified service personnel may carry out repair and maintenance work on the device. The warranty of the device will be voided if any unauthorized maintenance or repair work has been carried out..

CE/FCC-Conformity

This document confirms that the DD32R-FX bearing the CE (Communauté Européenne) label meets all requirements in the EMC directive 2004/108/EG laid down by the Member States Council for adjustment of legal requirements. Furthermore the product complies with the rules and regulations of the low-voltage directive 2006/95/EG and the Restriction of Hazardous Substances Recast Directive 2011/65/EU (RoHS 2). This product bearing the CE label complies with the following standards, ratified by CENELEC (Comité Européen de Normalisation Electrotechnique):

Electromagnetic compatibility – Product family standard for audio, video, audio-visual and entertainment lighting control apparatus for professional use

EN 55103-1, Emission

EN 55103-2, Immunity

EN 60065, Safety requirements

FCC notice

This device complies with Part 15 of the FCC Rules. Operation is subject to the following two conditions:

- (1) this device may not cause harmful interference, and
- (2) this device must accept any interference received, including interference that may cause undesired operation.

NOTE: This equipment has been tested and found to comply with the limits for a Class A digital device, pursuant to Part 15 of the FCC rules. These limits are designed to provide reasonable protection against harmful interference when the equipment is operated in a commercial environment. This equipment generates, uses and can radiate radio frequency energy and, if not installed and used in accordance with the instruction manual, may cause harmful interference to radio communication. Operation of this equipment in a residential area is likely to cause harmful interference, in which case you will be required to correct the interference at his own expense.

Changes or modifications not expressly approved by Optocore GmbH could void the user's authority to operate this equipment.

Industry Canada Compliance Statement

This Class[A] digital device complies with Canadian ICES-003.

Avis de conformité à la réglementation d'Industrie Canada

Cet appareil numérique de la class[A] est conforme à la norme NMB-003 du Canada

The authorised declaration and compatibility certification lies with the manufacturer and can be viewed on request. Responsible as manufacturer is:

OPTOCORE GmbH, Lohenstr. 8, 82166 Munich-Gräfelfing, Germany
represented by Marc Brunke, Managing Director

N.B. The awarding of the CE label confirms the compliance with legal directives issued for the manufacturer and marketing of electronic and electrical devices. As such the CE label is not a "seal of quality" but rather proof that the device bearing the CE label conforms with the electromagnetic compatibility standards laid down in the above named testing regulations.

Munich, 11.12.2013



Marc Brunke

Page intentionally left blank.

DD32R-FX – AES/EBU I/O interface for Optocore and SANE

Table of Contents

Important Safety Instructions	3
Purchaser Information.....	4
CE/FCC-Conformity	7
Device Description	10
Front Panel	12
Rear Panel.....	14
Device Details.....	15
Optocore Fiber Optic Connection	15
Principal Ports for AES/EBU.....	15
SANE Ports	15
RS485.....	15
Word Clock.....	15
Video Ports.....	15
Ethernet Ports.....	15
Power Supply	16
Transmission Delay	16
Control	16
DD32R-FX in Network Applications.....	16
Third party control.....	16
Optocore bandwidth allocation.....	17
SANE bandwidth allocation.....	17
Connectors and Cables	18
Optical Connection	18
Principal and Auxiliary Ports.....	18
SANE Ports	18
USB-Connection.....	18
Word Clock-Connection.....	18
Video-Connection	18
Mains-Connection.....	18
Hardware Connection	19
Example 1.....	19
Example 2.....	20
Connection Tables.....	21
Technical Specifications	23
Dimensions and Weight	24
Warranty and Liability	25
Shipping Contents.....	26
Company Information.....	26

Device Description

Congratulations on your purchase of a DD32R-FX Digital I/O Module for Optocore and SANE with video, Ethernet and data interfaces. The DD32R-FX manual will quickly demonstrate its advantages and help to ease your day-to-day workload in a professional audio visual environment.

The DD32R-FX is a digital I/O unit and interface to the OPTOCORE® and SANE® DIGITAL NETWORK SYSTEM. It offers four principal ports for connection and transport of a total of 32 AES/EBU digital audio pairs, which equals 64 mono channels. These ports are user defined as inputs or outputs in groups of four. Device can operate in sample rates up to 192 kHz (sample rates above 96 kHz are available upon request).

Redundant fibre connections can be established using the two provided SFP based LC multimode or singlemode optical LINK-interfaces. The dual redundant ring structure provides maximum safety in a network with an outstanding low latency. It facilitates the use of the advantages of fibre optical transmission in all sorts of temporary and permanent applications, especially when long distance connections and high-quality audio are required.

The DD32R-FX enables to connect to the SANE network via RJ45 ports. It is possible to use SANE as a Cat5 based cost-efficient extension to the optical core system. SANE ports may be used as point-to-point MAD1 over Cat5 or as a bridge interface between SANE and OPTOCORE, providing up to 128 input and 128 output channels additionally to the principal AES/EBU ports.

The DD2FR-FX provides both word clock input and output. It includes also bi-directional composite video interfaces. Additionally four RS485 ports allow the transport of a wide range of standards such as RS422, DMX, MIDI, and CAN-Bus (bi-directional, requires special firmware version). In addition to the audio signals, video and data signals are transmitted through the common fibre connection. The dual power supply unit, with automatic switchover, permits a redundant power supply and safeguards against malfunctions in the event of a power supply failure.

In combination with the other Optocore devices DD32R-FX offers a great flexibility to build the network exactly fitting the applications' needs. For example, in combination with a X6R-FX on Stage it is the perfect interface to a digital console at FOH. A DD32R-FX on stage can be used as an interface to all external microphone preamps with AES/EBU outputs. With Yamaha and Optocore microphone preamps the DD32R-FX enables the gain control of the preamps on stage from a Yamaha digital console at FOH. The DD32R-FX is not only an audio interface, but also a video and data interface for a broad range of control data standards. If analogue inputs and outputs are needed the DD32R-FX serves as the I/O unit for the converter units of the X6R/V3R or older X6P-series. Networks with several DD32R-FX and other Optocore or SANE devices allow the transport of a huge amount of digital data, e.g. 7686 audio channels with a sample rate of 48 kHz, 32 RS485 channels and three video channels, 100MBit Ethernet. Depending on the fiber optic transceivers, distances from 700 m up to 70 km can be covered (100m by Cat5 SANE).

The DD32R-FX and X6R/V3R-TP can be used together in a SANE CAT5 Network (64 audio channels + Ethernet). Combinations of SANE and OPTOCORE® OPTICAL DIGITAL NETWORK SYSTEM (up to 1024 input channels) can be made with the DD32R-FX and other Revolution FX devices to exchange audio channels, Ethernet and Gain Control. All parameters on the I/O Module can be controlled and monitored with the same software application as all other Optocore devices: OPTOCORE CONTROL software. They allow for the distribution of various channels of I/O at the different locations throughout your digital Optocore and/or SANE network.

The Word Clock IN and OUT connections enable the synchronisation of the units to an external source and are used to pass the word clock from one unit to the next. For stand-alone applications, the devices are equipped with an internal word clock generator.

The DD32R-FX units can be operated and controlled via the OPTOCORE network with OPTOCORE CONTROL software without the need for any external data cable. For control the USB, RS232 or LAN ports on the front / rear panels can be used.

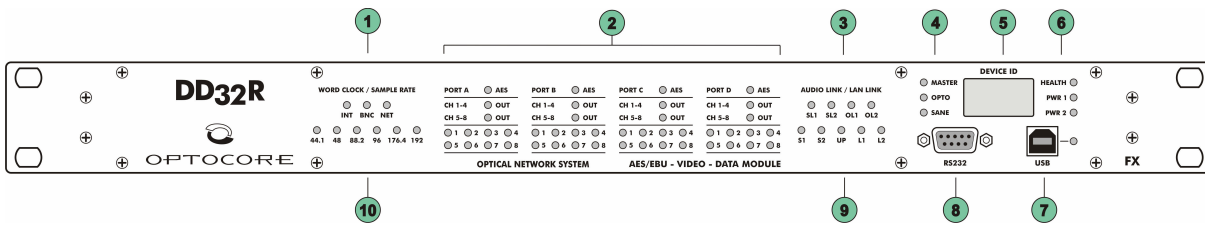
All Optocore devices are designed and built using the latest programmable microprocessors and FPGA (field programmable gate array) logic circuitry. This allows the devices internal logic to be updated, in the field, ensuring a continual state-of-the-art device.

OPTOCORE

Optocore devices, and complete networks, are configured and operated using the OPTOCORE CONTROL software. The software provides access to all configuration parameters and controls needed to operate the system, including: naming channels, setting gains and phantom power, routing as well as recall and capture of partial or full system configurations. The software can be operated offline as well as online with level meters for all channels on the network

The LEDs on the front panel of the DD32R-FX units allow an instant overview regarding the status of each port.

Front Panel



- 1 Word Clock LED:** Indicates the selected word clock source:
 INT: Internal word clock – The device is a system master
 BNC: External word clock via BNC WC Input
 NET: Word clock received from network

- 2 AES status LED:** Indicates that the entire AES/EBU port is ready for data transmission of
 LED ON: AES/EBU digital audio
 LED OFF: Data

Out LED: I/O configuration of AES pairs 1-4 and 5-8:
 LED ON: Outputs
 LED OFF: Inputs

ACT LED Signal status of AES pairs 1-4 and 5-8:
 LED ON: At least one signal is present
 LED OFF: No signal is present

- 3 AUDIO LINK:** Indicates the audio link status
 SL1: Communication is established via SANE 1 (rear panel)
 SL2: Communication is established via SANE 2 (rear panel)
 OL1: Communication is established via Optocore LINK 1 (rear panel)
 OL2: Communication is established via Optocore LINK 2 (rear panel)

- 4 Master LED:** Indicates the Word Clock Master unit

OPTO LED: Optocore communication is established

SANE LED: SANE communication is established

- 5 Device ID Display:** Indicates the unique identification number of the device

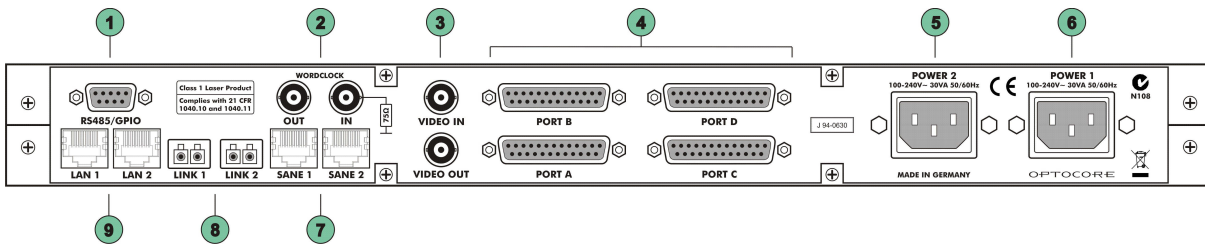
- 6 HEALTH LED:** Green: Power supply to the device works, temperature is below the limit
PWR 1 LED: Power supply 1 is working correctly
PWR 2 LED: Power supply 2 is working correctly

- 7 USB plug and LED:** USB connection for remote control and update via PC
 Green: Indicates data activity

- 8 RS232 plug:** D-Sub-9 RS232 connection for remote control and update via PC

- 9 **LAN LINK:** Indicates the Ethernet link status
- S1:** Ethernet communication is established via SANE 1 (rear panel)
 - S2:** Ethernet communication is established via SANE 2 (rear panel)
 - UP:** There is other device with physical Ethernet port enabled on the network
 - L1:** Ethernet communication is established via LAN 1 (rear panel)
 - L2:** Ethernet communication is established via LAN 2 (rear panel)
- 10 **Sample Rate LED:** Yellow 44,1 / 48 / 88,2 / 96 / 176,4 / 192 kHz

Rear Panel



- 1 RS485/GPIO plug:** 4 x RS485/RS422 (D-Sub-9) auxiliary port for data transmission
- 2 Word Clock IN:** BNC Word clock input allowing synchronization of Optocore devices/network from an external word clock source

Word Clock OUT: BNC Word clock output for synchronization of external devices
- 3 Video IN:** BNC Video input for composite video

Video OUT: BNC Video output for composite video
- 4 PORT A ... D:** 4 x D-Sub-25 PRINCIPAL PORTS with 8 channel RS422 for AES/EBU or data transmission
- 5 POWER 2:** Mains input for power supply 2 (100 ... 240 V)
- 6 POWER 1:** Mains input for power supply 1 (100 ... 240 V)
- 7 SANE 1:** SANE RJ-45 interface for data transmission + 100 Mbit Ethernet

SANE 2: SANE RJ-45 interface for data transmission + 100 Mbit Ethernet
- 8 LINK 1:** Full-duplex, full bandwidth LC-type optical interface for Optocore transmission (SFP multimode transceiver included, singlemode transiver option available on demand)

LINK 2: Full-duplex, full bandwidth LC-type optical interface for Optocore transmission (SFP multimode transceiver included, singlemode transiver option available on demand)
- 9 LAN 1:** 100 Mbit RJ-45 Ethernet interface

LAN 2: 100 Mbit RJ-45 Ethernet interface

Device Details

Optocore Fiber Optic Connection

The device is equipped with the Optocore FX communication module. The OPTOCORE® OPTICAL DIGITAL NETWORK SYSTEM utilizes Time Division Multiplex technology (TDM) with a Fibre Channel based 8B10B-NRZI-coding. Static time slots guarantee a synchronous transmission of all channels, at all times, without the use of dynamic bandwidth or latency. All signals connected to the intercom, audio, video, word clock and auxiliary ports of the device are transmitted simultaneously on one fibre while the second fibre of the LINK-Interface receives data from the network. The second LINK-Interface pair is identical to the first one, and can optionally be used for network redundancy.

Principal Ports for AES/EBU

According to the AES/EBU standard each physical channel contains two audio channels - with the 32 digital of the four principle ports 64 audio channels are available. The ports feature the unique possibility to define them freely as AES/EBU inputs or AES/EBU outputs in groups of four.

OPTOCORE CONTROL software should be used to enable, disable and configure 32 digital channels as inputs or outputs in groups of four. For more details refer to the Optocore Control Software Manual.

Please note:

DD32R-FX principal AES/EBU ports are NOT equipped with Sample Rate Converters, Every 3rd party device must be locked either to the Word Clock embedded in AES3 frame or to the External Word Clock output of DD32R-FX

SANE Ports

The device is equipped with two RJ45 200MBit SANE Ports, capable of transmitting 64 channels of synchronous audio and 100MBit Ethernet. SANE 2 port is compatible with MAD1 over Cat protocol

RS485

The auxiliary ports provide four RS485 ports to establish a maximum of four half-duplex or two full-duplex connections between devices. A wide range of bi-directional and unidirectional standards can be connected to the ports, such as RS485, CAN-Bus (bi-directional, requires special firmware version), or RS422, DMX and MIDI (unidirectional). The ports automatically sense whether they are sending or receiving control data. The ports and their destinations are configured in the OPTOCORE CONTROL software.

Word Clock

Devices with Optocore/SANE modules are equipped with an internal, high quality, low jitter clock generator as well as Word Clock inputs and outputs. Any device on the network can act as the master of the network and pass Word Clock to networked Optocore/SANE devices.

The internal/networked Word Clock is available at the Word Clock output connector of each device on the network to synchronize non-networked devices.

In standalone network configurations external synchronization is not required.

The Word Clock input termination can be switched on using the OPTOCORE CONTROL software's Local Settings. External termination is not required to avoid cable reflections.

Word Clock master negotiation after any Word Clock source failure is done automatically..

Video Ports

A video in- and output is integrated for the transmission of composite video signals. Up to three video channels can be transported through the Optocore network depending on configuration.

Ethernet Ports

DD32R-FX supports Optocore and SANE Ethernet transport. Two LAN ports interface with all other LAN and SANE/LAN ports in the Optocore and SANE Network creating a large unmanaged virtual 100Mbit Ethernet switch.

Power Supply

The device is optionally equipped with two power inputs and power supply units. If one power supply fails, due to malfunction of the feeding power line or the power supply unit itself, the device will automatically switch over to the other power supply unit. In order to make the power supply redundant, both power inputs must be connected to the main supply, if possible to different phases, power supply systems, or even better, one of them to an uninterrupted power supply (UPS).

The power supply units operate with mains voltage of 100 ... 240 V and frequency of 50 ... 60 Hz. Thus the device can be used throughout the world without any modifications or transformers.

Important:

The switched-mode power supplies operate at very high voltages.

Coming into contact with the power supplies can lead to considerable electric shock, which may result in death.

To prevent electric shock, do not remove any covers of the device.

Transmission Delay

The Optocore system delay including the matrix is fixed to 41,6 μ s @ 48 kHz for all channels. The additional transport delay per Optocore unit (<200 ns) in the network is insignificant in comparison. Overall system delay is dependent on the converters used and the length of network cables in the system. Assuming 'normal' cable lengths of <700 m per link, the additional delay is considered marginal.

The transmission delay is constant between any points in the network.

Control

All system and device parameters are configured using the OPTOCORE CONTROL software.

The system can be configured and controlled centrally, over the Optocore network, with the exception of the initial configuration of the unique identifier (ID) of the device.

The OPTOCORE CONTROL software is capable of running multiple instances on the same PC or by using the OPTOCORE CONTROL software's Client/Server mode.

Please note:

Please refer to the Optocore Quick Start Guide for the basic system configuration and setup.

For more detailed setup please refer to the Optocore Software Manual

DD32R-FX in Network Applications

The monitoring and operational facilities are only available if a DD32R-FX is connected directly to a PC via LAN, USB or RS232. In order to connect and control more than one unit in the Optocore or SANE networks with a PC the Control is transmitted through the network. Optocore Control can run multiple times on one PC or use Server Client Mode.

Third party control

Third party protocols for device controlling can be used. It is possible to control Optocore preamps directly from Yamaha consoles through DD32R-FX with Special Emulation Mode configured. The Multiple Emulation Mode feature enables the control of remote preamps in the Optocore network from up to four different consoles..

Optocore bandwidth allocation

The standard bandwidth allocation of an Optocore network is as follows:

Audio	256 Channels @ 48 KHz – 1 Gbit network 768 Channels @ 48 kHz – 2 Gbit network
RS485 Data	32 Channels
Video	3 CVBS Video Channels *
Ethernet	100 MBit Fast Ethernet *

* If the network is used for the transport of Ethernet compatible data the capacity is reduced to one CVBS video channel plus 100 Mbps Fast Ethernet.

Please note:

Optocore R-Series devices equipped with 2Gbit fibre transceivers are required for 2Gbit network operation.

SANE bandwidth allocation

The standard bandwidth allocation of a SANE link is as follows:

Audio	64 Channels @ 48 KHz
Ethernet	100 MBit Fast Ethernet

Connectors and Cables

Optical Connection

Multimode transceivers connected using a 50 μm OM3 fibre cable can be used for applications requiring cable lengths of up to 700 m (worst case).

Single mode transceivers connected using a 9 μm fibre cable can be used for applications requiring cable lengths of up to 70 km (worst case).

The total optical loss should be less than 6dB between transceivers.

For portable applications, such as touring and other temporary installations, ruggedized HMA Expanded Beam Connectors, mounted on 1 RU panels and portable cables on cable drums are available. Please refer to the Product Brochure available at www.optocore.com.

Principal and Auxiliary Ports

Each of the four channels requires a shielded twisted pair cable.

If two or more channels are wired to the same cable, a common braided shield should enclose the pairs.

SANE Ports

Use standard, fully wired, twisted pair cable (Cat 5, Cat 5e, Cat 6) terminated with RJ-45 connectors. SANE utilizes all four pairs of the Cat 5 cable, two pairs for standard Ethernet transmission and two pairs for the SANE synchronous audio transport. A SANE cable shall not exceed a total cable distance of 100 m.

RS232-Connection

Use a standard shielded RS232 cable.

Connector Hood Quality

Locking screws for D-Sub connectors should be compatible with 4-40 UNC. Care should be taken in selecting the right type of connector hoods in order to fulfil the requirements of EMI-radiation directives. Full metal connector hoods should be used, approved acc. to VDE 0871, FCC 20780 and EMC directive 2004/108/EG, providing attenuation > 40 dB between 30 MHz up to 1 GHz. The shield of the cable should have contact to the connector hood.

USB-Connection

Use a USB-A to USB-B cable between the PC and the Optocore device.

LAN-Connection

Use standard twisted-pair-cable (Cat-5, Cat-6) with RJ-45 connector.

Word Clock-Connection

Use 75 Ω -coaxial-cable with BNC-connector.

Video-Connection

Use 75 Ω -coaxial-cable with BNC-connector.

Mains-Connection

Standard power cords with IEC C13 connectors.

Hardware Connection

Example 1

The X6R units (analog to AES/EBU converters) are connected to a DD32R-FX using Optocore BI-B cables as shown in Fig. 1... The word clock is transmitted through the word clock I/Os using standard 75 Ω cables. The following figure demonstrates the configuration of a 48 send and 16 return system with four Optocore X6R units using two input cards each, two X6R units with one input and one output card each and one DD32R-FX.

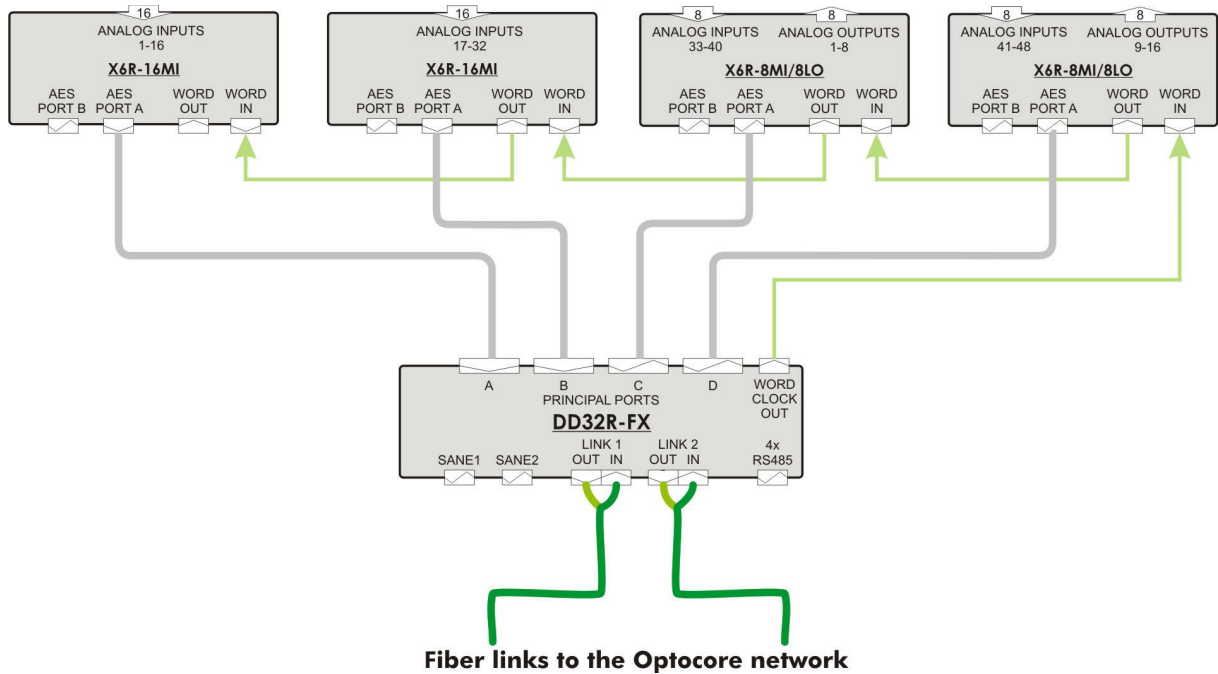


Fig. 1: Connection of four X6R units and one DD32R

In this example Ports A and B of the DD32R-FX are configured as inputs, receiving AES/EBU signals from two X6Rs which are equipped with 16 microphone inputs each. Ports C and D are connected to two X6Rs with 8 inputs and 8 outputs each, which transmit four AES/EBU (8 audio channels) outputs and receives four AES/EBU inputs. The configuration of the ports as inputs and/or outputs and the routing is carried out with OPTOCORE CONTROL software. The control data is transmitted via the AUX pins in the BI-B cables, the control of the preamps by software or from the console is possible without any further wiring. For word clock distribution, the Word Clock OUT of the DD32R-FX should be connected to the Word Clock IN of one X6R. Then using a daisy chain of BNC cables, the word clock is passed on to the other X6Rs in the system, from the Word Clock OUT to the Word Clock IN of the consecutive X6R, etc. creating a Word Clock daisy chain. Last X6R device in the word clock daisy chain should be terminated in the Optocore Software.. The BI-B cables (audio and control data transmission) and the BNC cables (word clock) are connected as shown in Fig. 1.

Example 2

The X6R-FX unit is connected to a DD32R-FX using both Optocore fiber links creating a dual redundant ring topology. The word clock is transmitted via fibre and SANE between OPTOCORE DEVICES – there is no need for external coaxial cables between the devices. In this example a console is fed with Word Clock as shown below, however other synchronisation methods are also available. The following figure demonstrates the configuration of a 48 send and 16 return system with two Optocore X6R-16MI units (one –FX and one –TP) using two input cards each, two X6R-TP-8MI/8LO units with one input and one output card each and one DD32R-FX.

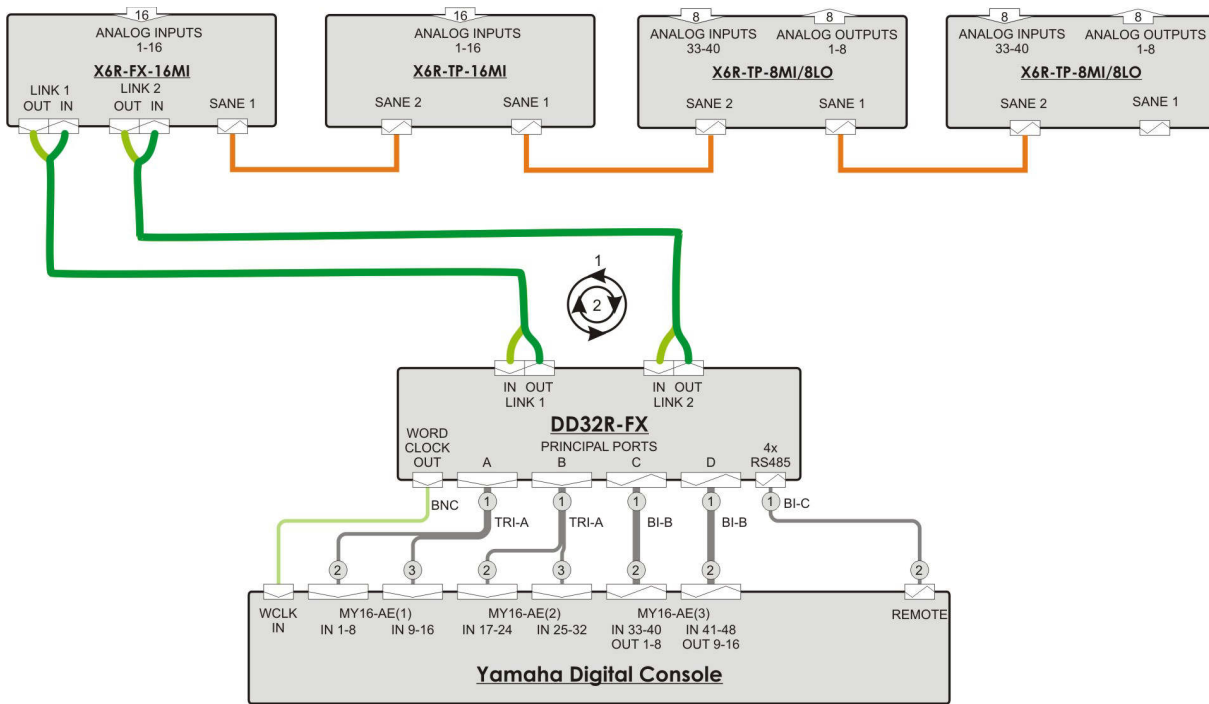
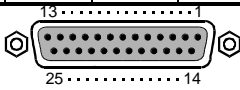
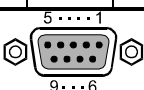


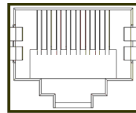
Fig. 2: Connection of four X6R units and one DD32R

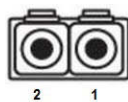
In this example Ports A and B of the DD32R-FX are outputs, sending their signals to first two cards installed in console's slot. Ports C and D are connected to the third card with 8 inputs and 8 outputs each. Each of these ports transmits four AES/EBU (8 audio channels) outputs and receives four AES/EBU inputs. The configuration of the ports as inputs and/or outputs as well as routing, monitoring and Emulation Mode setup is carried out with OPTOCORE CONTROL. The control data from Yamaha console is transmitted to DD32R-FX via BI-C cable. The BI-B cables (audio transmission) and the BNC cable (word clock) are connected as shown in Fig. 2

Connection Tables

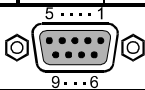
Pin-out	Principal Ports A - D													
	AES Channel		AES/EBU In or Output				AES/EBU In or Output				Special use		GND	
			1	2	3	4	5	6	7	8	9	10		
	Audio Channel		1+2	3+4	5+6	7+8	9+10	11+12	13+14	15+16				
	Pin	+	1	2	3	4	5	6	7	8	11	24	10, 12, 13, 23, 25	
		-	14	15	16	17	18	19	20	21	9	22		
D-Sub-25- female													Locking system acc. to 4-40 UNC	

Pin-out	Auxiliary Ports 4 x RS485								
	Channel		RS485				GND	Please assure correct polarity “+” and “-“ at both (!) sides / devices when connecting external equipment to the RS485 ports.	
			1	2	3	4			
	Pin	+	1	2	3	4	5		
-		6	7	8	9				
D-Sub-9- female							Locking system acc. to 4-40 UNC		

Pin-out	SANE – Synchronous Audio and Ethernet						
			SANE / “MADI” In	SANE / “MADI” Out	Ethernet In	Ethernet Out	A device compatible with 10/100MB Fast Ethernet can be connected to a SANE port for Ethernet data communication.
	Pin	+	7	4	3	1	
		-	8	5	6	2	
RJ-45							

Pin-out	Optical Fibre-Port			
			Optocore	
			RXD	TXD
	Pin		1	2
LC connectors				

OPTOCORE

Pin-out	RS232-Port							
	Channel	RS232		Internally bridged		Power		Use standard RS232 cable, male – female, to connect to PC
		RXD	TXD			+5VS	GND	
	Pin	3	2	1, 4, 6	7, 8	9	5	
D-Sub-9- female					Locking system acc. to 4-40 UNC			

Pin-out	USB-Port					
	Channel	USB			GND	USB device-connector
		VBUS	D -	D +		
	Pin	1	2	3	4	

Technical Specifications

AES Ports	Convention EIA / TIA - 422	
Channels	AES/EBU	4 x 8
	Audio channels	4 x 16
Data rate	Depending on selected sample rate	Up to 30 Mbit/s per channel
Impedance	Termination	120 Ω -switchable / \geq 96 k Ω
	Source	\leq 10 Ω , Multi-drop feature
Drive level	Output	\geq 2 V _{pp}
Zero level	Referring to GND	+ 1.7 V
Sense level	Input	\geq 400 mV _{pp}
CM-voltage at bus terminals	Referring to GND	- 7 V ... + 12 V

Word clock	Hardware standard BNC - 75 Ω	
Data rate	Depending on selected sample rate	Up to 192 kHz
Impedance	Output	\leq 5 Ω
	Input	75 Ω
Drive level	Output	\geq 1 V _{pp}
Zero level	Referring to GND	+ 1.7 V
Sense level	Input	\geq 400 mV _{pp}

Remote Control	Convention	
RS232	EIA / TIA - 232	57 600 Baud
USB	USB 2.0 - Device	12 Mbit/s
LAN	TIA-568A/B, IEEE - 802.3	10/100 Mbit/s

SANE, LAN	Convention	
Audio	TIA - 568A/B, Optocore	200 Mbit/s
LAN	TIA - 568A/B, IEEE - 802.3	10/100 Mbit/s

Optical Connection	Complies with 21 CFR 1040.10 and 1040.11	
---------------------------	--	--

Power supply		
Type	Switch-mode, universal input	
Mains voltage	100 ... 240 V	
Frequency	50 ... 60 Hz	
Power consumption	Depending on device, 32VA – Max	
Security classification	Class 1: basic insulation, connected to the protective grounding conductor	
Security regulations	Harmonised European standard EN60065	
Mains connector	acc. to IEC-950	
Cooling	Passive, via surface and ventilation-slits on both sides	

Dimensions and Weight

Front panel: width 483 mm / 19 inch
 height 44 mm / 1.73 inch
 depth 200 mm / 7.87 inch

Rear panel: width 438 mm / 17.25 inch

Weight

2.7 kg \equiv 4.41 lbs

Please note:

Modifications that serve the purpose of technical improvement may be carried out without prior notification.

Warranty and Liability

Summary of Warranty

OPTOCORE DD32R-FX device is warranted against defects in material and workmanship for 60 months (5 years) from the date of purchase. This warranty does not include mechanical damages caused by misuse. This warranty covers the original registered purchaser only and is not transferable. This warranty does not apply to devices which have been purchased in used condition or demonstrator equipment.

OPTOCORE will, at its discretion, repair or replace a defective product, providing that the defect has occurred under normal operating conditions.

This warranty does not cover damage from acts of God, accident, abuse, neglect, contamination, unauthorised modification, misuse, or operation outside of the environmental specifications for the product, improper site preparation or maintenance, or abnormal conditions of handling. This would include over-voltage failures, and conditions outside of the products specified ratings, problems with customer-supplied software or interfacing, or normal wear and tear of mechanical components. OPTOCORE will acknowledge the evaluation of warranty after inspection.

Not covered by this warranty are defects arising from electromagnetic or electrical interferences, deficiency, excess, or surge of electrical supply, air conditioning, or humidity. This also includes repairs made necessary by dirt, abrasion, moisture, rust, corrosion, or similar conditions.

Devices on which the Serial Number has been removed or defaced are not eligible for warranty service.

OPTOCORE devices contain no user-serviceable components: refer to qualified service personnel for repair or upgrade. The warranty will be void if you tamper with internal components. Please address any questions or inquiries to OPTOCORE or your distributor/dealer.

For a full warranty conditions refer to the Warranty Card attached to every Optocore device with a first shipment.

How to Obtain Warranty Service

When discovering a problem with an OPTOCORE device, you should contact either Optocore directly or a dealer/distributor to determine and confirm a hardware fault. If it is a software issue the hardware must not be returned to OPTOCORE, OPTOCORE will issue a support ticket in this case.

If hardware service is required within the warranty period, take the equipment, along with warranty card, to the nearest authorised OPTOCORE dealer/distributor. The dealer/distributor will make sure that the device is serviced according to the terms of warranty by OPTOCORE or an authorised service centre.

If the equipment needs to be returned directly to OPTOCORE, first contact support@optocore.com.

OPTOCORE requires the serial number of the equipment intended for return, as well as a short description of the problem. If possible, you should also provide us a phone number where you can be reached during regular working hours. To return a defective product, please contact your distributor / dealer. Our web site: <http://www.optocore.com/> provides a complete list of Optocore distributors / dealers.

Make sure the equipment being returned is packed carefully to protect it from damage during shipment. OPTOCORE requires that shipments are pre-paid and insured – unless specifically authorized in advance.

We strongly advise not to use simple flight-cases without rack-in-rack mounting.

Declaration of Liability

Optocore accepts no liability for damage caused to other devices through operation of the DD32R-FX device.

Optocore is not liable for any damage caused by shipping accidents, misuse, abuse, operation with incorrect AC voltage, operation with faulty peripheral equipment, or improper or careless installation of the device.

Neither OPTOCORE nor anyone involved in the production of the equipment shall be liable for any indirect, special, disciplinary, consequential, or incidental damages arising out of the use or inability to use this equipment even if OPTOCORE has been advised of the possibility of such damages. In no event shall the liability of OPTOCORE exceed the purchase price of any defective equipment.

Optocore accepts no claims for compensation whatsoever (e.g. cancellation of events).

Shipping Contents

The standard shipment of a DD32R-FX unit contains the following:

- 1 DD32R-FX unit
- 1 fibre patch cable LC-LC
- 2 power cables

Any additionally purchased equipment such as optical wave-guide cables in required lengths, D-Sub cables and adapters, RS232 cables, and international electric cables, which have been supplied on your request and your purchase order, cannot be listed above.

Please note that due to the Ecology reason standard shipment **does not** contain printed copy of User Manual. All latest OPTOCORE user manuals can be downloaded from the website:

<http://www.optocore.com/index.php/support/downloads>

Printed version of User Manual is available on a special demand. Please contact support@optocore.com if printed version is required.

Company Information

Mailing Address:

OPTOCORE GmbH
Lohenstr. 8
D-82166 Munich-Gräfelfing
Germany

Telephone:

+49 – (0)89 – 8999640

Facsimile:

+49 – (0)89 – 89996455

Internet:

www.optocore.com

Email:

Inquiry@optocore.com